

POWER

SHIP EQUIPMENT

IT PRODUCES STAINLESS STEEL PRODUCTS, MARINE HARDWARE, CONSTRUCTION HARDWARE, WHICH ARE WIDELY USED IN MARINE TRANSPORTATION, ELECTRIC SHIP AND MANY OTHER FIELDS AND PROVIDES OEM AND ODM SERVICES.

Power Marine

E-mail: andy@power-marine.net
Mob: +86-15806581717
Contacts: Andy Zhang
Address: Qingdao City, Shandong Province, China

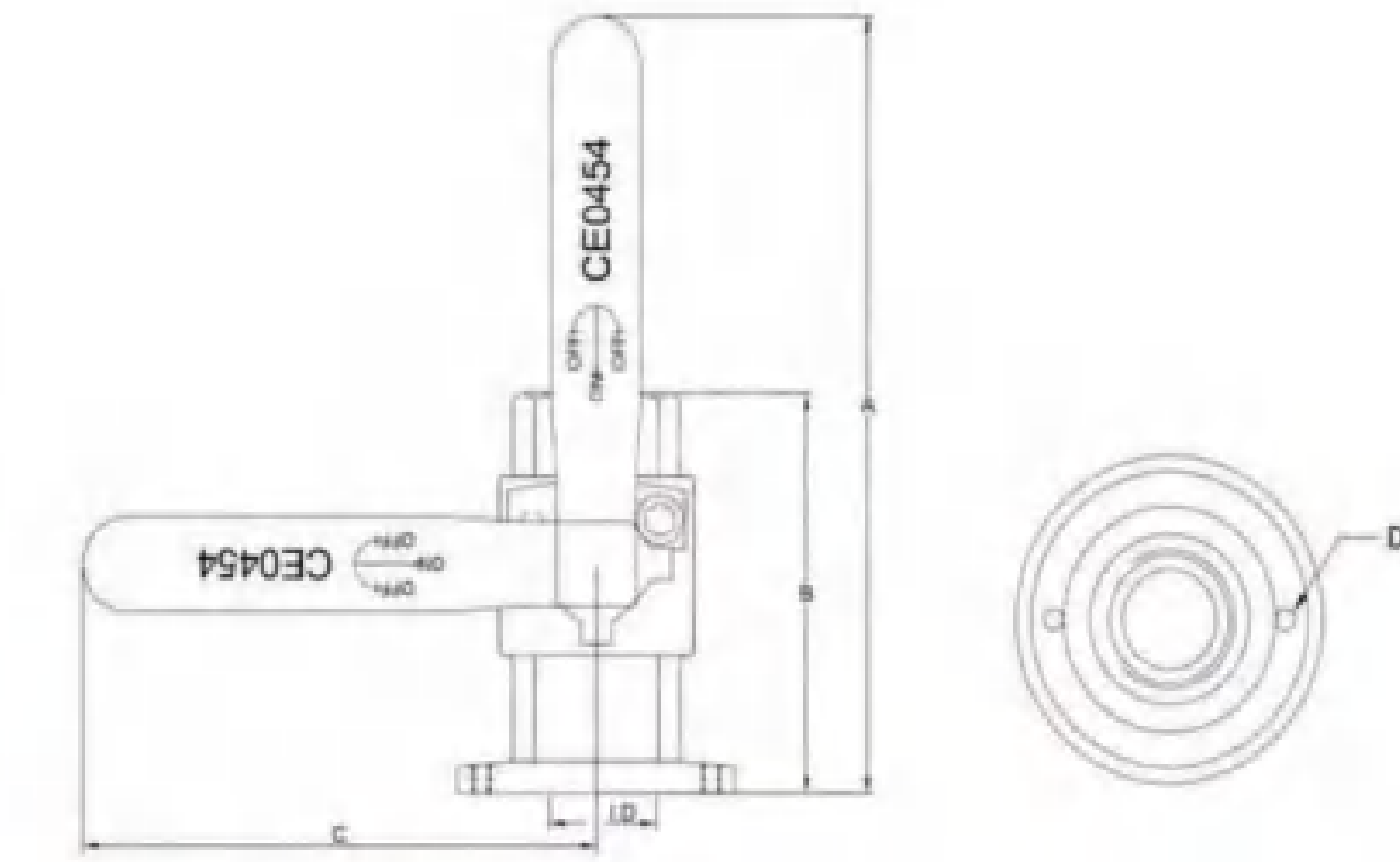
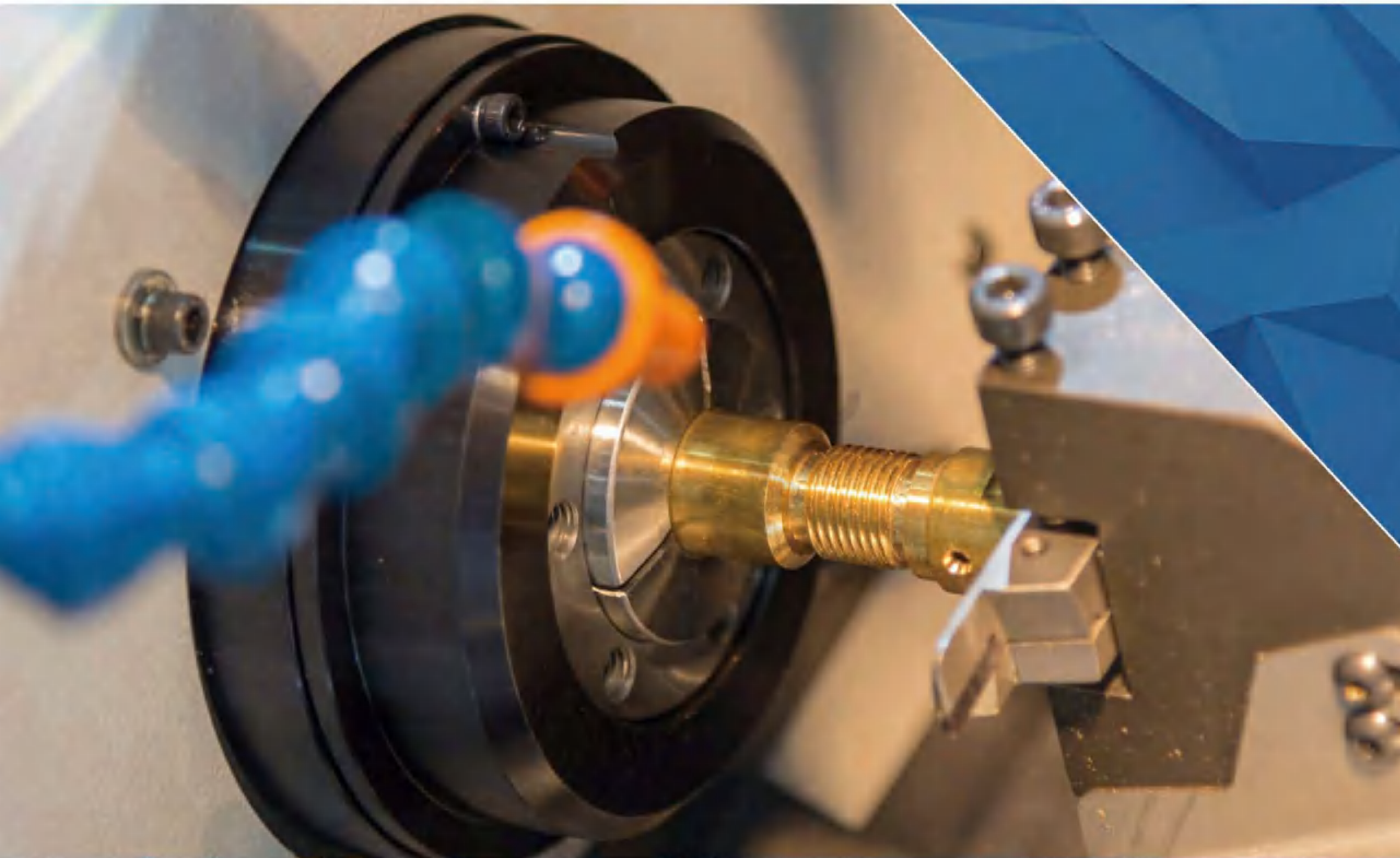
山东威盛工贸有限公司
Shandong Power Industry and Trade Co., Ltd.

COMPANY PROFILE

Our company mainly produces stainless steel products, marine hardware, construction hardware, products are widely used in marine transportation, electric ships and many other fields, and provides OEM and ODM services. Our company has CNC machine tools, salt spray test instruments, spectrometers and other professional equipment, providing sound material certificates for our products. With excellent service and product quality, we cover more than 100 countries in the world and are exported to the United States, the United Kingdom, Germany, France, Canada, Australia, the Netherlands, Taiwan, Japan, South Korea and other Europe and the United States and Southeast Asia. Our customers enjoy a high reputation.

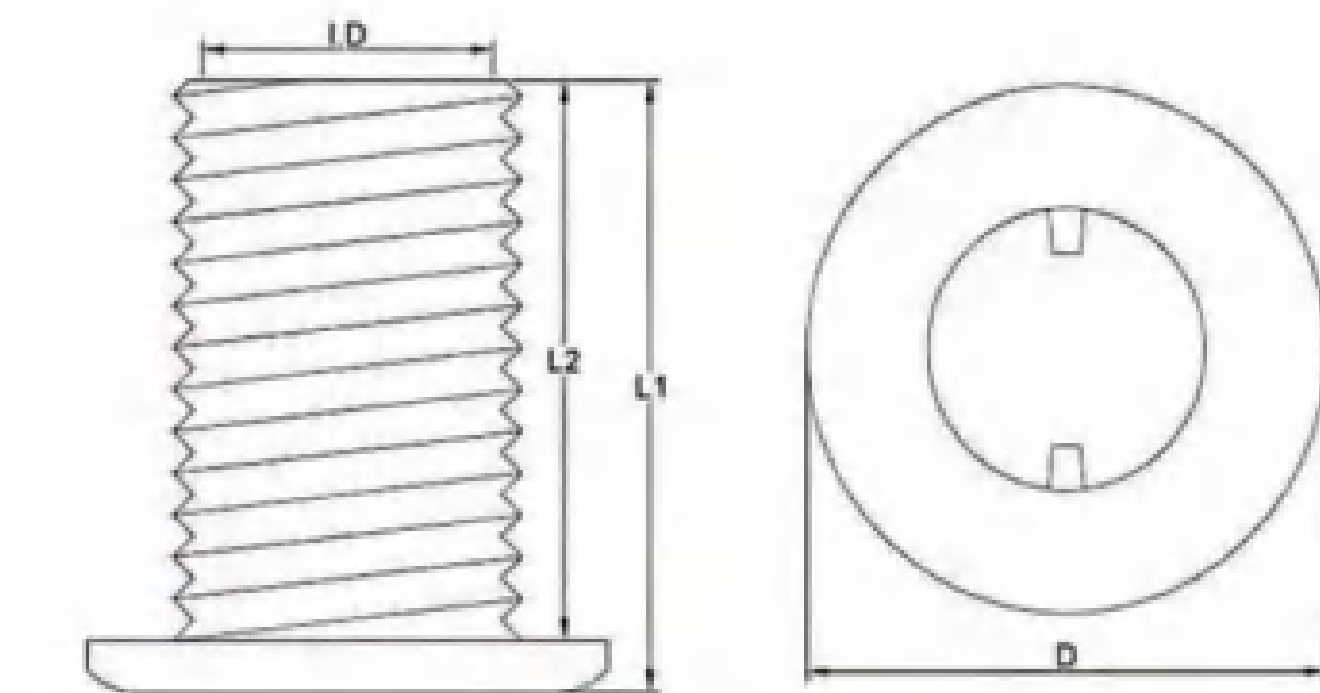
Since its establishment, we have always adhered to the corporate philosophy of "quality first, integrity management", and for the purpose of "win-win", committed to scientific and technological innovation, building corporate brands, and meeting customer needs. Through more than 10 years of product integration, we have established a competitive product chain and become one of the top marine hardware suppliers. We adhere to the principle of customer first, strive to achieve customer success, and ultimately achieve win-win cooperation. We warmly welcome our customers to cooperate with us!





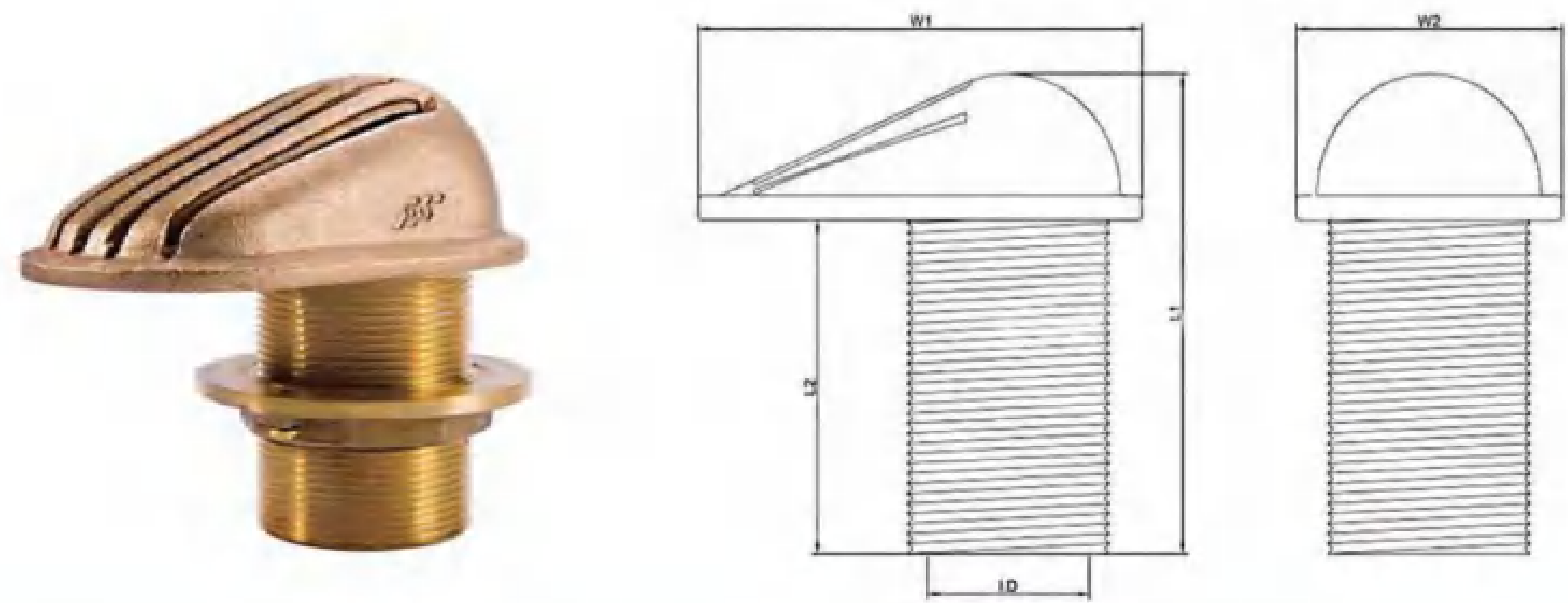
Seacock

Specification	Medol No.	A	B	C	D	Thread-BSPP
3/4"	ALS-B20006	148	75	105	4	24.1
1"	ALS-B20010	185	91.7	132	4	30.3
1-1/4"	ALS-B20012	187	99	131.5	4	39
1-1/2"	ALS-B20014	230	112.3	170	4	44.9
2"	ALS-B20020	239	129	168	4	56.7
2-1/2"	ALS-B20024	271	149	194	4	72.2
3"	ALS-B20030	334	172	243	4	85.9
4"	ALS-B20040	459	224	334	4	110.1
5"	ALS-B20050	502	288	334	4	136



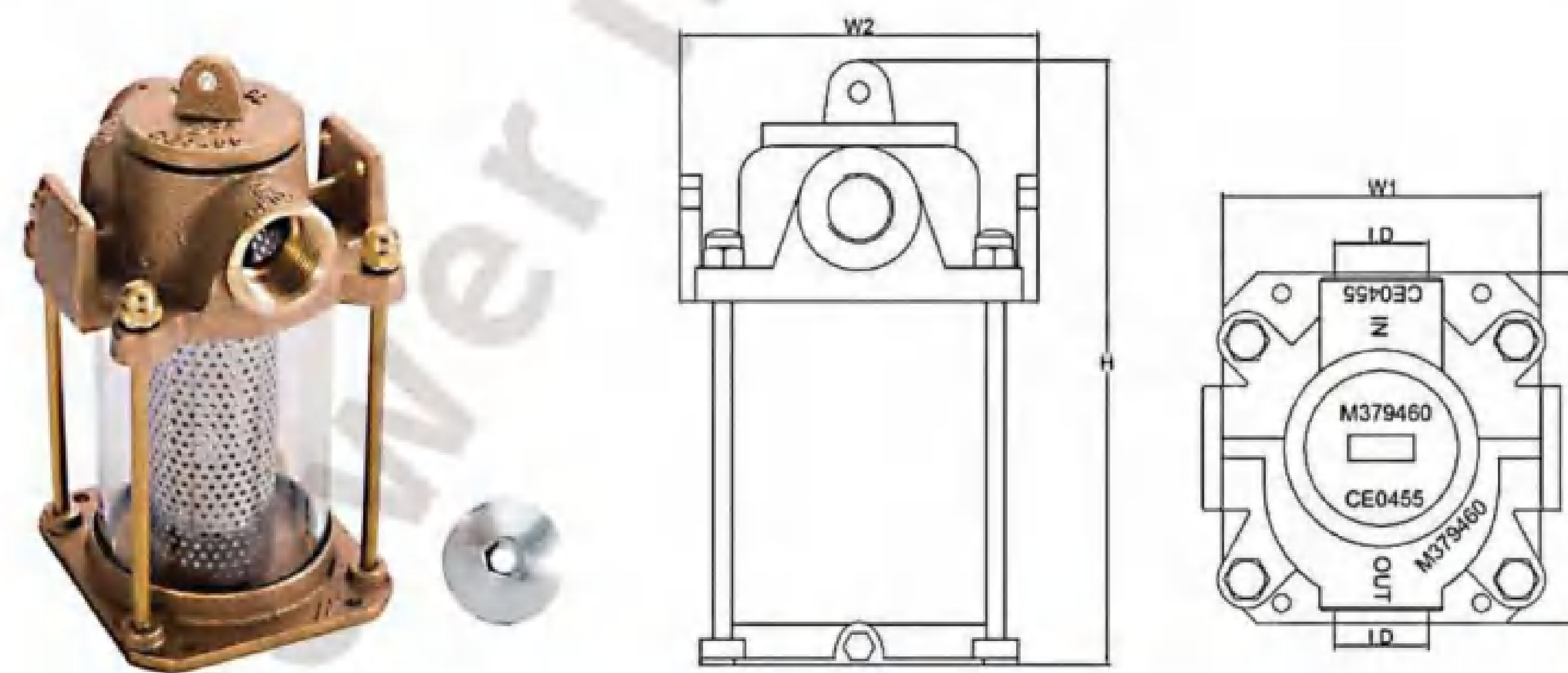
Bronze Thru-Hull

Specification	Medol No.	LD	L1	L2	D	Thread-BSPP
3/4"	ALS-B60006	19	80.9	75.2	50.5	26.4
1"	ALS-B60010	25.2	83	76	57.6	33.3
1-1/4"	ALS-B60012	31	83	76.4	67	41.9
1-1/2"	ALS-B60014	39	83	76.4	72.4	47.8
2"	ALS-B60020	50.1	89.1	79.9	94.5	59.6
2-1/2"	ALS-B60024	64	395	86	109.2	75.2
3"	ALS-B60030	75	101.2	93.6	124	87.9
4"	ALS-B60040	96.6	148	135.9	155	133
5"	ALS-B60050	121.11	124	107	201.1	139.8



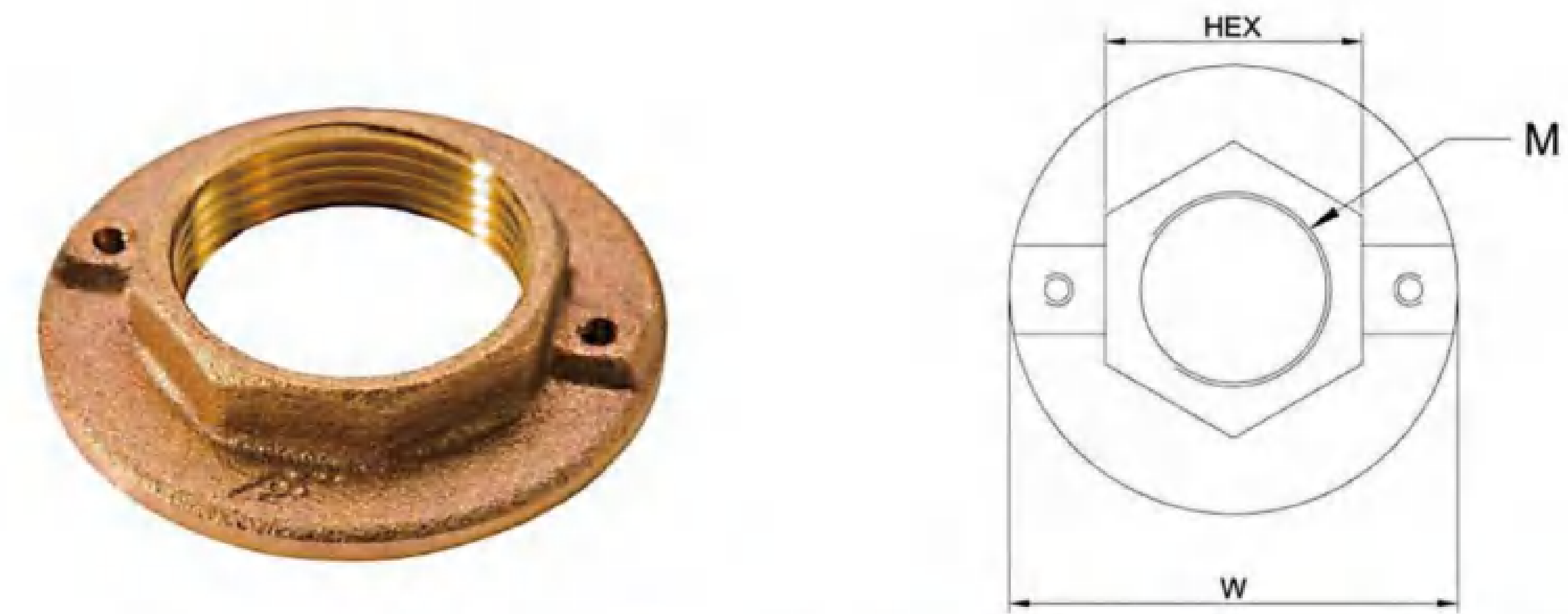
Scoop Thru-Hull

Specification	Medol No.	LD	W1	H2	L1	L2	Thread-BSPP
3/4"	ALS-B61006	19.5	83.1	62.2	101	72.4	26.4
1"	ALS-B61010	25	89.9	67	118.3	88.5	33.3
1-1/4"	ALS-B61012	34	104	76.5	113.8	78.6	41.9
1-1/2"	ALS-B61014	38	105	75.5	112.5	78	47.8
2"	ALS-B61020	49.3	144	88.2	121.5	73.8	59.6



Seawater Strainers

Specification	Medol No.	W1	W2	L	H	Thread-BSPT
3/4"	ALS-B61606	19	80.9	75.2	50.5	26.4
1"	ALS-B61610	25.2	83	76	57.6	33.3
1-1/4"	ALS-B61612	31	83	76.4	67	41.9
1-1/2"	ALS-B61614	39	83	76.4	72.4	47.8
2"	ALS-B61620	50.1	89.1	79.9	94.5	59.6
2-1/2"	ALS-B61624	64	395	86	109.2	75.2
3"	ALS-B61630	75	101.2	93.6	124	87.9
4"	ALS-B61640	96.6	148	135.9	155	133
5"	ALS-B61650	121.11	124	107	201.1	139.8



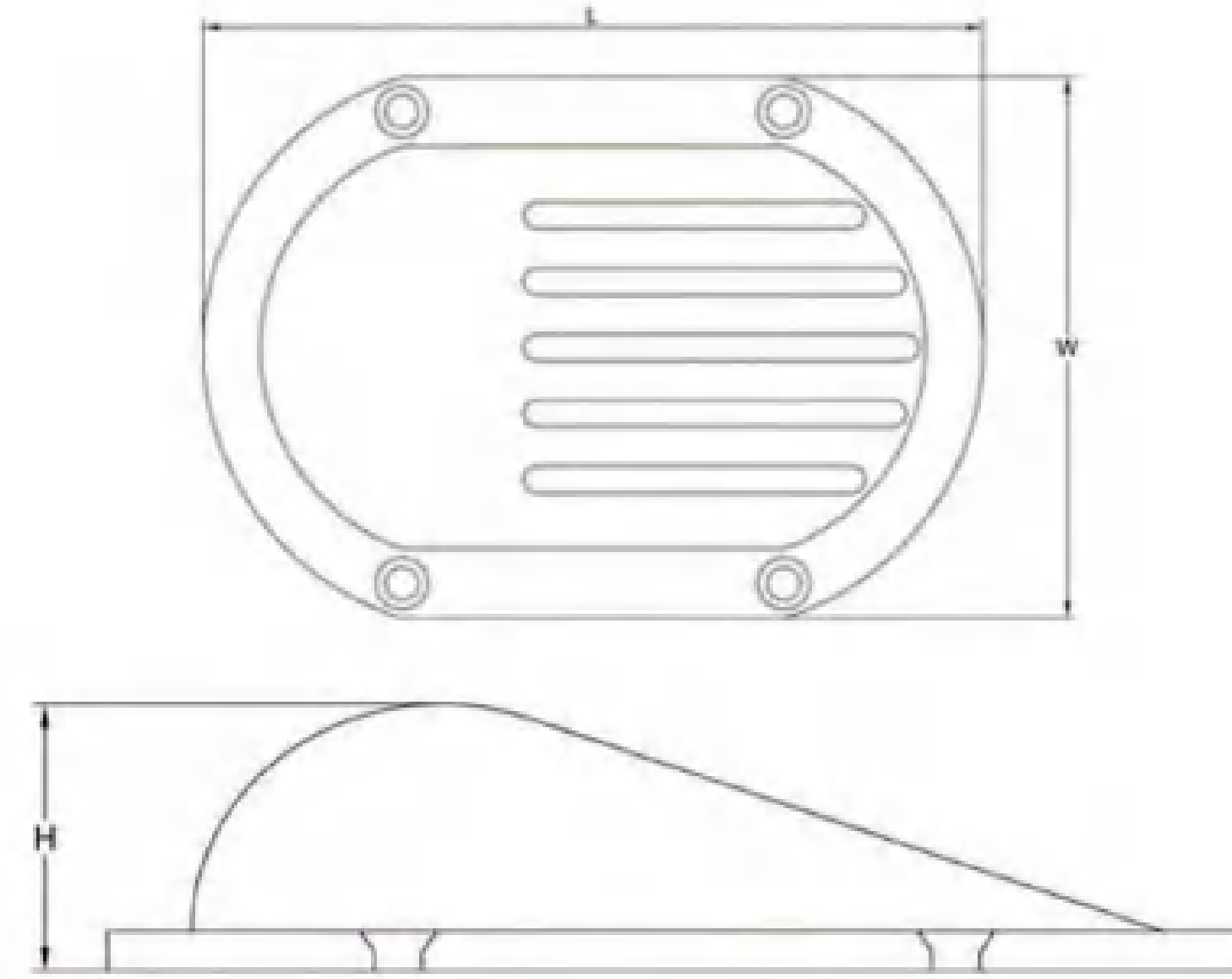
Thru-Hull lock nut

Specification	Medol No.	W	HEX	Thread-BSPP
3/4"	ALS-B61206	57	32.3	24.1
1"	ALS-B61210	56.3	37.4	30.3
1-1/4"	ALS-B61212	72.3	47	39
1-1/2"	ALS-B61214	77	54.6	44.9
2"	ALS-B61220	92	66	56.7
2-1/2"	ALS-B61224	102.9	81.5	72.2
3"	ALS-B61230	126	96	85.9
4"	ALS-B61240	149	124.7	110.1



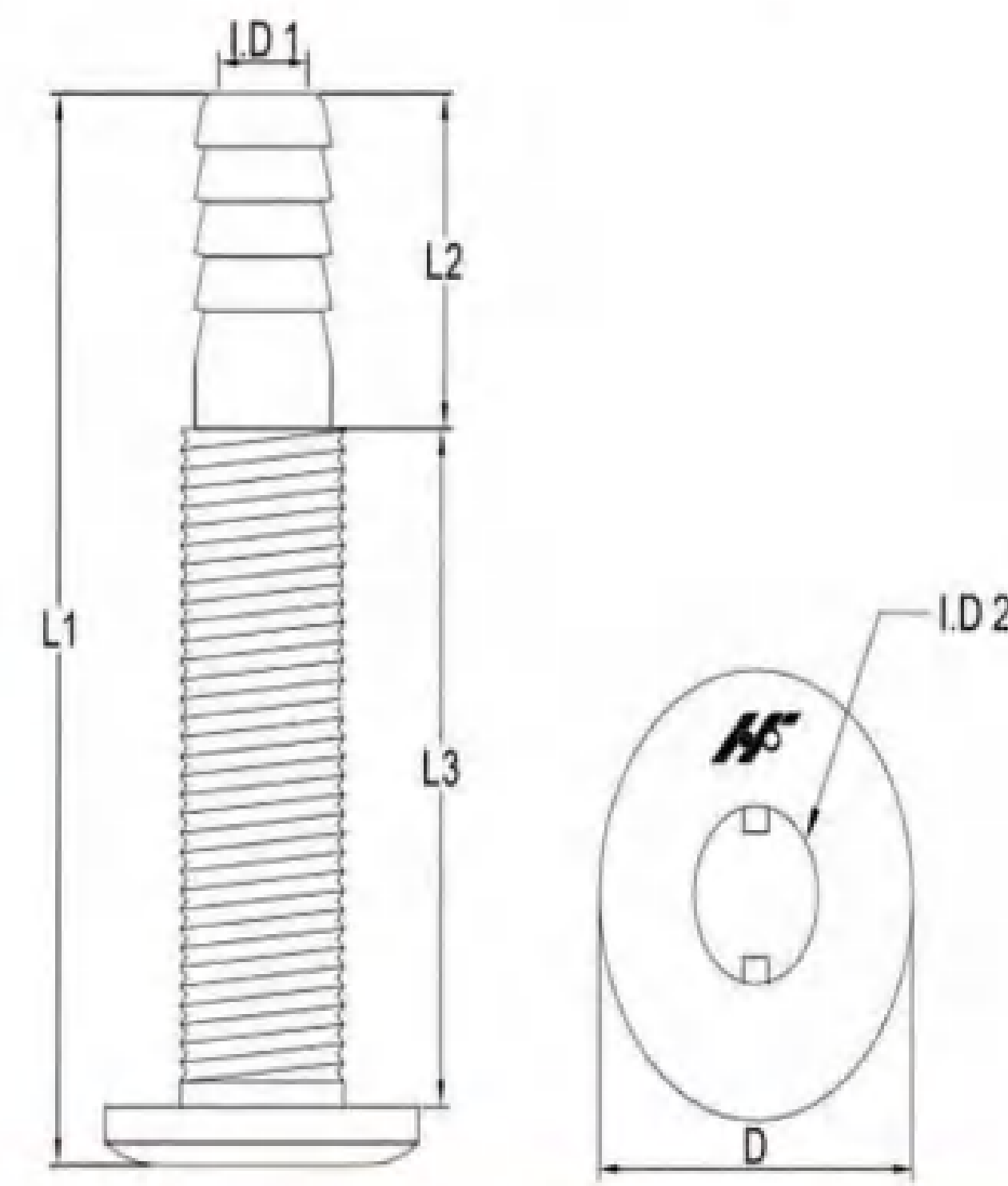
Strainers

Specification	Medol No.	D1	D2
3/4"	ALS-B61306	92.8	74.5
1"	ALS-B61310	92.8	74.5
1-1/4"	ALS-B61312	122.9	102
1-1/2"	ALS-B61310	122.9	102



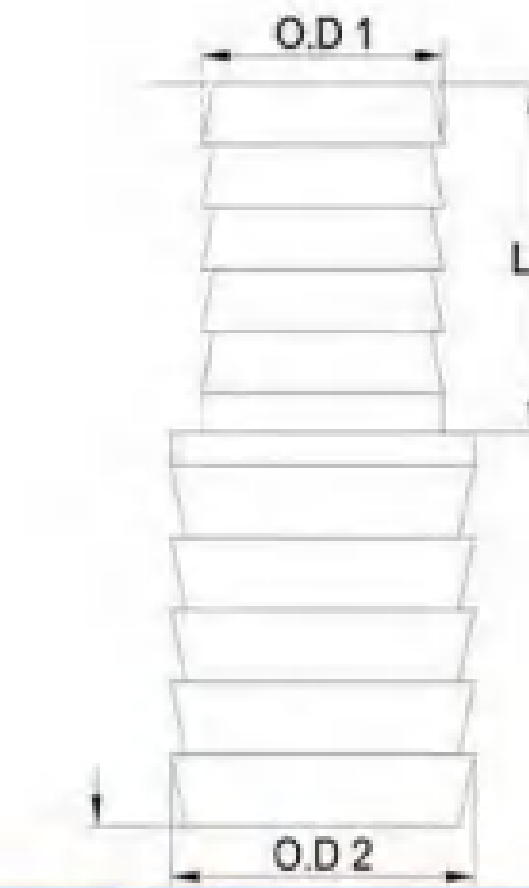
Scoop Strainers

Specification	Medol No.	L	W	H
3/4"	ALS-B61106	118.5	82.5	29
1"	ALS-B61110	137	98	36
2"	ALS-B61120	165	131	40
2-1/2"	ALS-B61124	266	182.5	66
3"	ALS-B61130	266	182.5	66
4"	ALS-B61140	355	241	76
5"	ALS-B61150	398	301	122.8



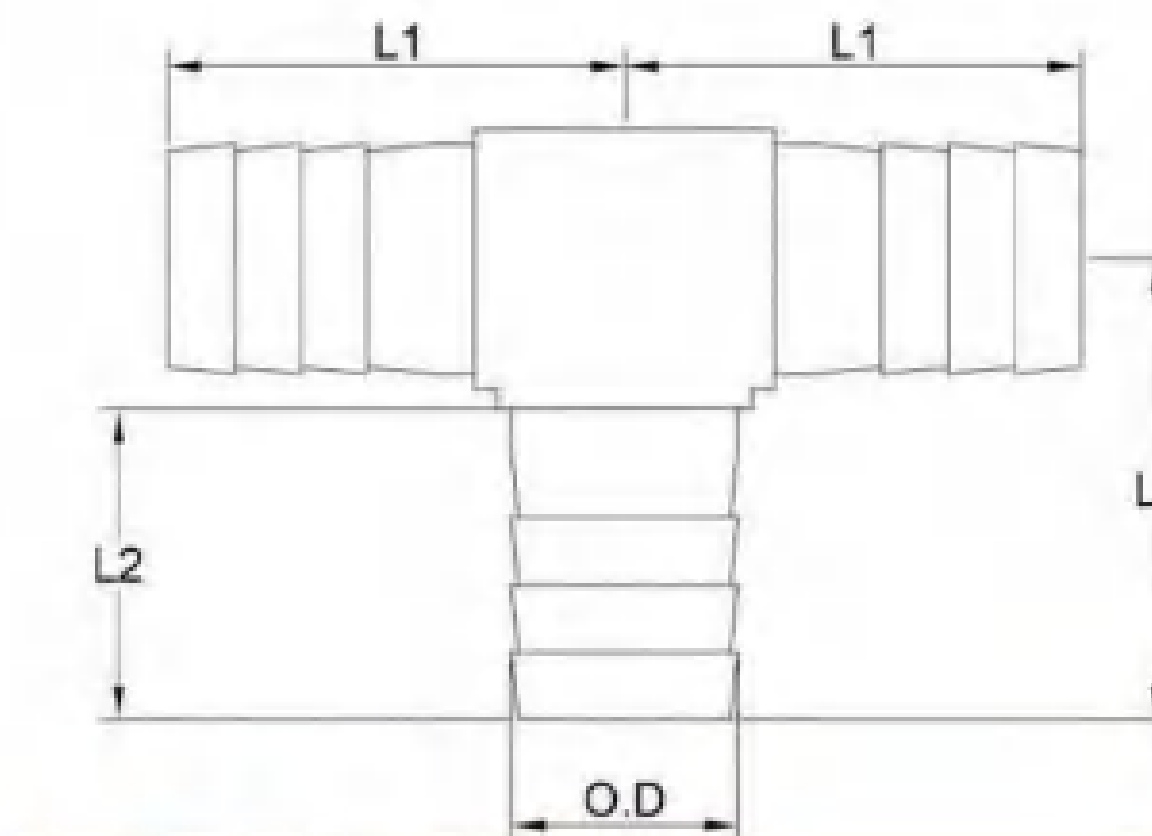
Hose Thru-Hull

Specification	Medol No.	LD1	LD2	L1	L2	L3	Thread-BSPP
3/4"*3/4"	ALS-B60609	15	19	118	37	76	26.4
1"*1"	ALS-B60610	20	25.5	125.5	43	76.5	33.3
1-1/4"*1-1/4"	ALS-B60612	25	31.5	125.2	43	76.5	41.9
1-1/2"*1-1/2"	ALS-B60614	30.5	38	131	46	78.8	47.8
3"	ALS-B60620	43	50.5	138	51.2	79	59.6



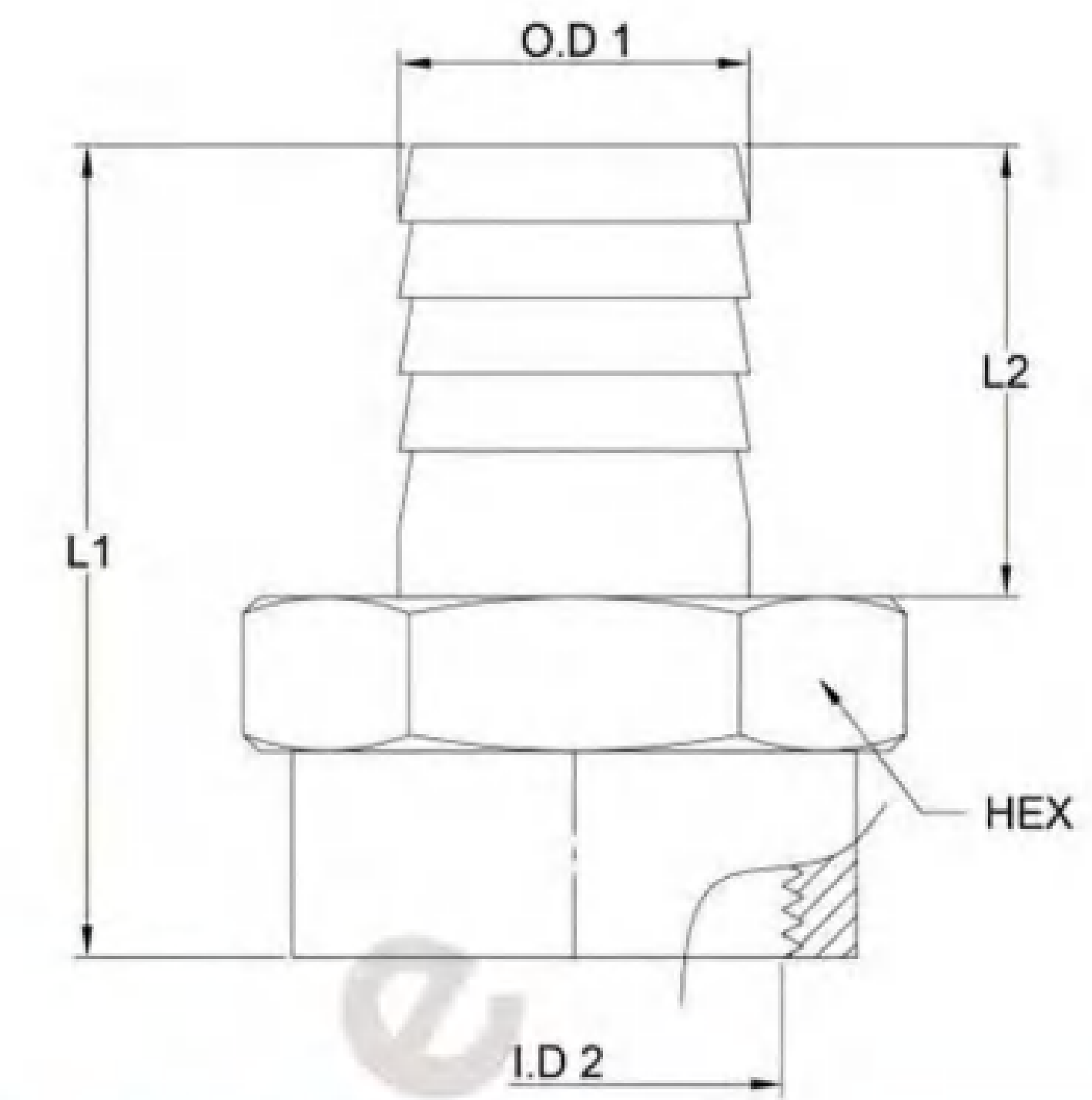
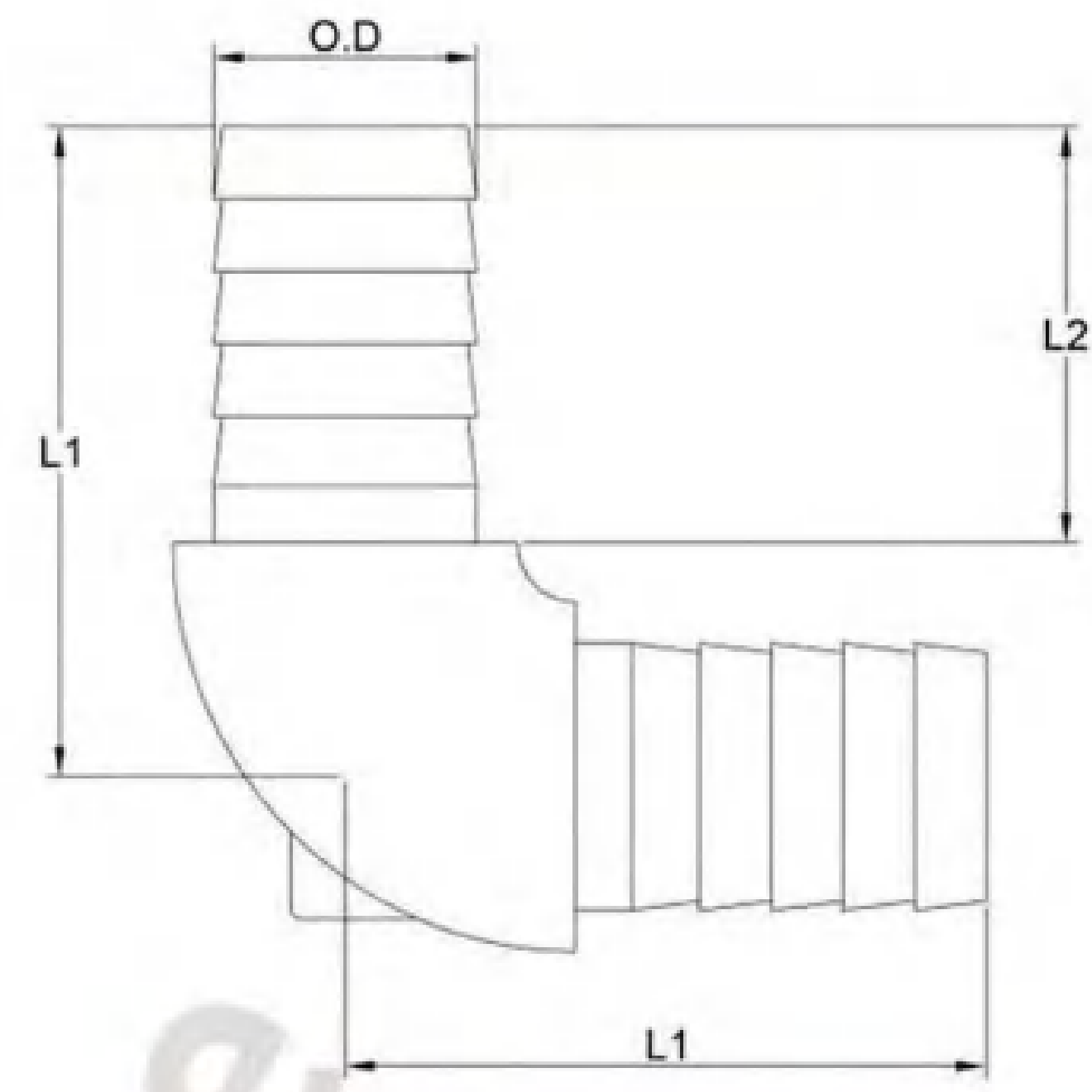
Double Barbed Fitting

Specification	Medol No.	O.D	L1	L2
3/16"	ALS-B10011	5.5	42	15.5
1/4"	ALS-B10022	7	44	14
5/16"	ALS-B10025	9	50	19
3/8"	ALS-B10033	10.5	50	19
1/2"	ALS-B10044	13.5	55	21.3
5/8"	ALS-B10055	17.5	52.5	20
3/4"	ALS-B10066	20.6	50	18.8
1"	ALS-B11010	26.4	65	25
1-1/4"	ALS-B11012	33.3	85.8	42.9
1-1/2"	ALS-B11014	38.7	105.9	44.7



T-Barbed Fitting

Specification	Medol No.	O.D	L1	L2
1/4"	ALS-B71002	7	24.8	19
5/16"	ALS-B71002-5	9	28.8	21
5/16"	ALS-B71003	10.5	28.3	20
1/2"	ALS-B71004	13.5	30.5	23
5/8"	ALS-B71005	17.5	34.3	23.4
3/4"	ALS-B71006	20.6	35.6	23.4
1"	ALS-B71010	26.4	66.6	43.5
1-1/4"	ALS-B71012	26.4	62.3	39
1-1/2"	ALS-B71014	38.7	72.1	46
2"	ALS-B71020	51.7	74.3	44

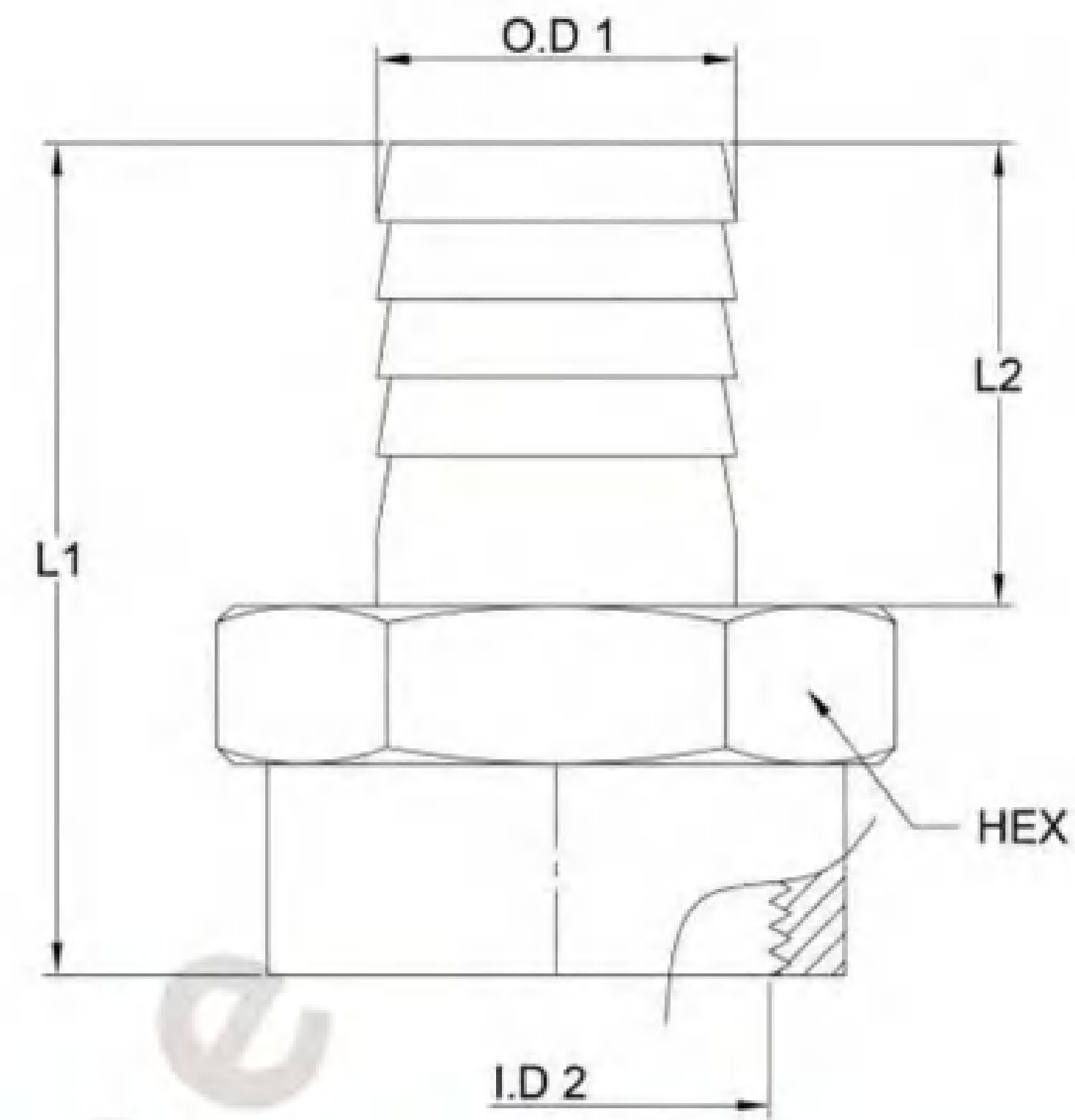


Elbow Bared Fitting

Specification	Medol No.	O.D	L1	L2
1/4"	ALS-B20022	7	29	20.5
5/16"	ALS-B20025	9	31.8	20.5
5/16"	ALS-B20033	10.5	31.5	20.5
1/2"	ALS-B20044	13.5	34	22.3
5/8"	ALS-B20055	17.5	28	15.3
3/4"	ALS-B20066	20.6	35.5	19
1"	ALS-B21010	26.4	66.7	41.2
1-1/4"	ALS-B21212	33.3	74	43
1-1/2"	ALS-B21414	38.7	74	47
2"	ALS-B22020	51.7	75.5	50
2-1/2"	ALS-B22424	63.7	107	64
4"	ALS-B23030	77	113.8	60.7
4"	ALS-B24040	104	133	71

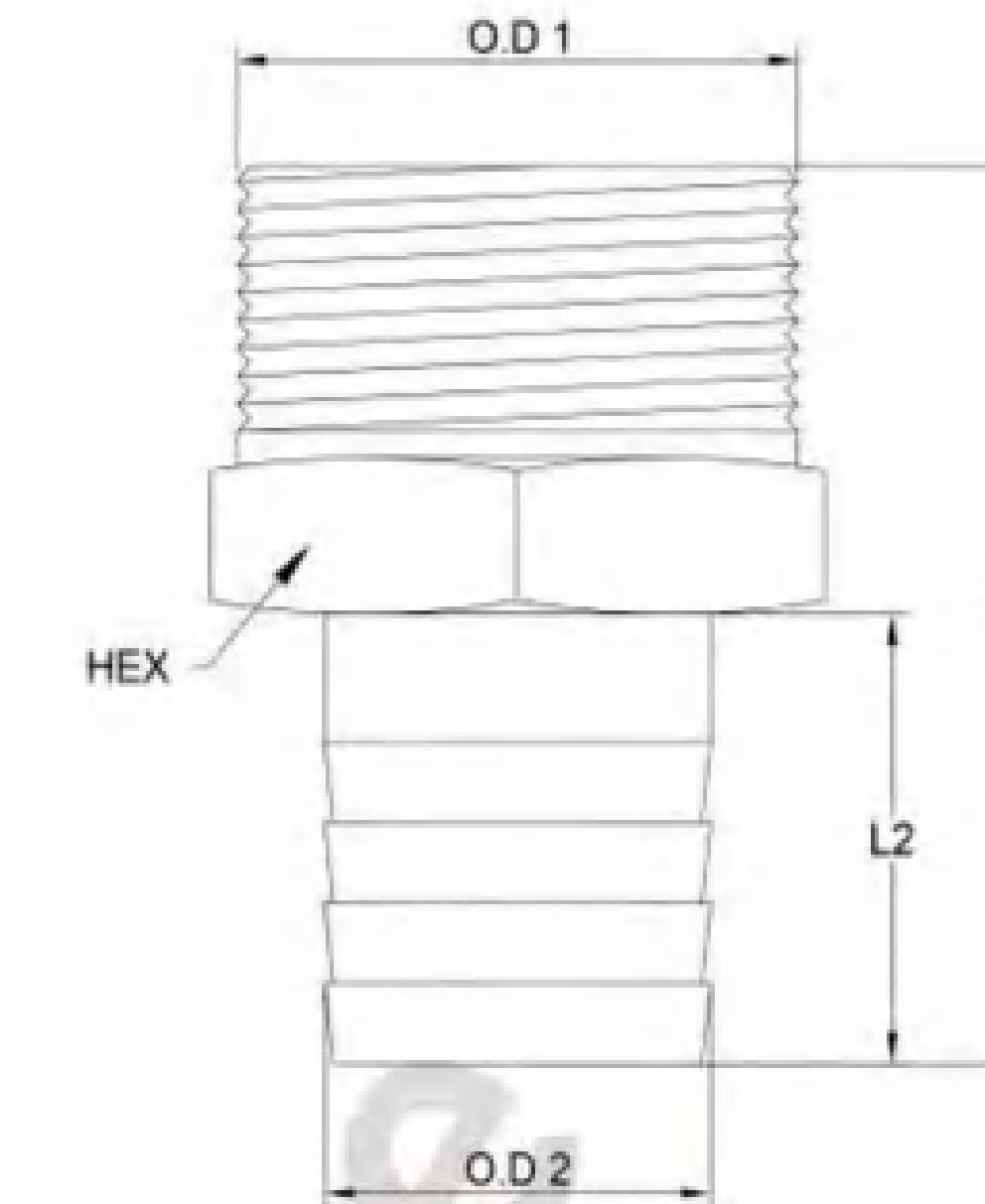
Elbow Bared Fitting-1

Specification	Medol No.	O.D1	L1	L2	HEX	Thread-BSPT
1/4"*1/4"	ALS-B50022	7.2	35	20	17	11.4
1/4"*5/16"	ALS-B50022-5	9	35	20	17	11.4
1/4"*3/8"	ALS-B50023	10.5	35	20	7	11.4
3/8"*5/16"	ALS-B50032-5	9	35	20	20.5	15
3/8"*3/8"	ALS-B50033	10	40	23	21	15
3/8"*1/2"	ALS-B50034	13.5	35	20.4	20.5	15
1/2"*5/16"	ALS-B50042-5	9	39	21	24.5	18.6
1/2"*3/8"	ALS-B50043	10.5	37.6	20.4	24	18.6
1/2"*1/2"	ALS-B50044-4	17	37.6	20.4	24	18.6
1/2"*5/8"	ALS-B50045-1	17	37.6	20.4	24	18.6
1/2"*3/4"	ALS-B50046-1	20	48	31.3	2	18.6
3/4"*1/2"	ALS-B50064-1	13	46	25.8	30	24.1
3/4"*5/8"	ALS-B50065-1	17.1	51	34	30	24.1



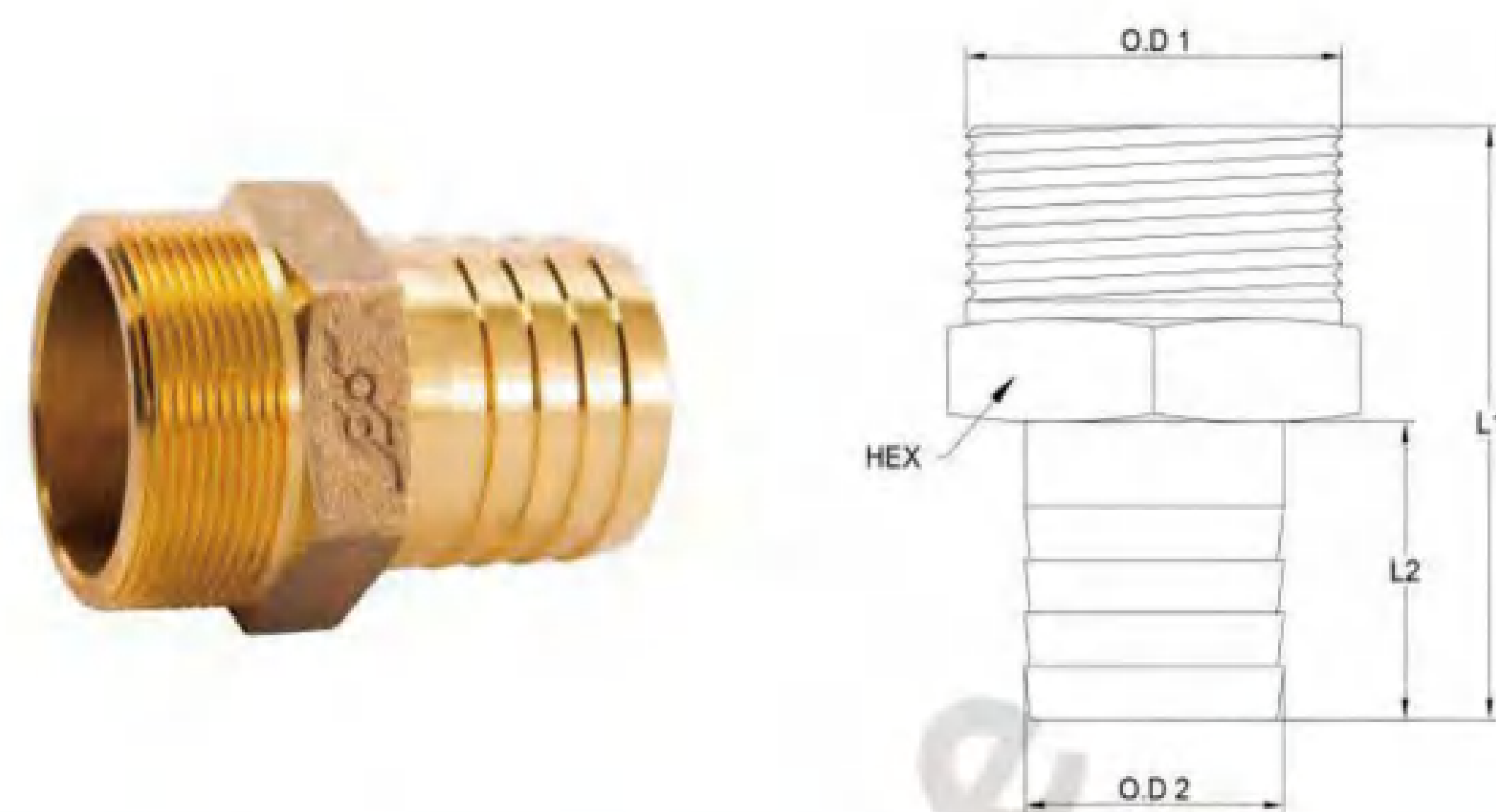
Female & Barbed Fitting-2

Specification	Medol No.	O.D1	L1	L2	HEX	Thread-BSPT
3/4"*3/4"	ALS-B50066-1	20	46	26.6	30	24.1
3/4"*1"	ALS-B50068	26.4	55.3	38	35	24.1
1"*3/4"	ALS-B51006	20	60	34.6	35	30.3
1"*1"	ALS-B51010	27	71	41	44.1	30.3
1"*1-1/4"	ALS-B51012	33.2	64	39.4	37	30.3
1-1/4"*1"	ALS-B51210	26	73	37	27.6	39
1-1/2"*1"	ALS-B51410	26	73	37.2	27.2	44.9
1-1/2"*1-1/4"	ALS-B51412	33.2	83.6	45	45	44.9
1-1/2"*1-1/2"	ALS-B51414	39	72.6	46.2	55	44.9
1-1/2"*2"	ALS-B51420	51.7	90.9	48.8	60.1	44.9

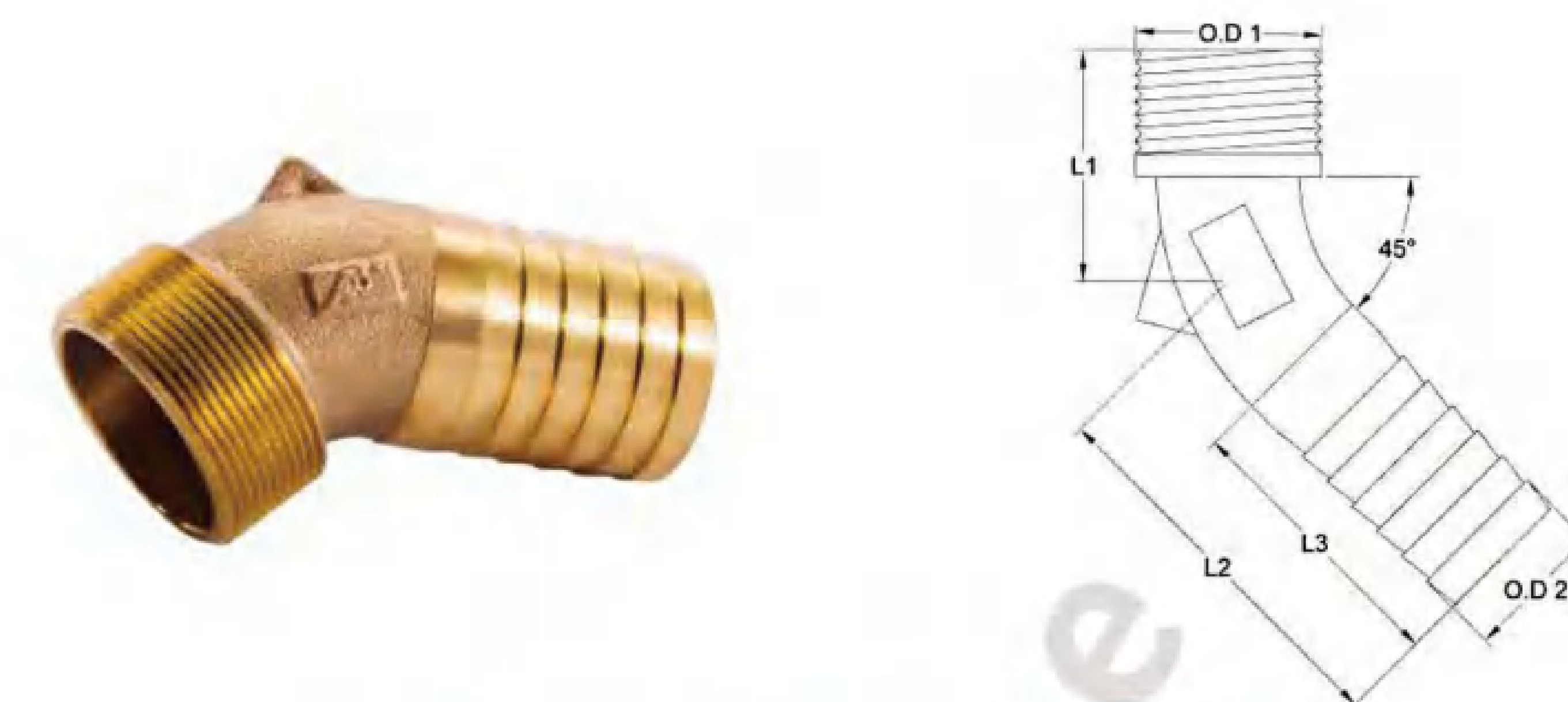


Male & Barbed Fitting-1

Specification	Medol No.	O.D1	L1	L2	HEX	Thread-BSPT
1/8"*1/4"	ALS-B30012	7	32	20	10	9.7
1/8"*5/16"	ALS-B30012-5	9	32	20	10	9.7
1/8"*3/8"	ALS-B30013	10.5	32	20.4	11	9.7
1/8"*1/2"	ALS-B30014	13.5	33	20.4	14	9.7
1/4"*1/4"	ALS-B30022	7	35.9	20.6	17	9.7
1/4"*5/16"	ALS-B30022-5	9	35	20.4	14	13.2
1/4"*3/8"	ALS-B30023	10.5	35	20.4	14	13.2
1/4"*1/2"	ALS-B30024	13.5	35	20	14	13.2
1/4"*5/8"	ALS-B30025	17.5	40	23.4	17	13.2
3/8"*1/4"	ALS-B30032	7	35.9	20.4	17	16.7
3/8"*3/8"	ALS-B30033	10.5	36	20.4	17	16.7
3/8"*1/2"	ALS-B30034	13.5	36	20	17	16.7
3/8"*5/8"	ALS-B30035	17.5	36	20	17	16.7
3/8"*3/4"	ALS-B30036	20.6	39.2	22	21	16.7



Male & Bared Fitting-2						
Specification	Medol No.	O.D1	L1	L2	HEX	Thread-BSPT
1/2"*1/4"	ALS-B30042	7	38	20.4	20.7	21
1/2"*5/16"	ALS-B30042-5	9	38	20	21	21
1/2"*3/8"	ALS-B30043	10.5	38	20.4	20.7	21
1/2"*1/2"	ALS-B30044	13.5	54	32.5	22	21
1/2"*5/8"	ALS-B30045	17.5	54	32.3	22	21
1/2"*3/4"	ALS-B30046	20.6	54	32.4	22	21
3/4"*3/8"	ALS-B30063	10.5	41	20.5	27	26.4
3/4"*1/2"	ALS-B30064	13.5	54	33.8	28	26.4
3/4"*5/8"	ALS-B30065	17.5	52.4	28.5	28	26.4
3/4"*3/4"	ALS-B30066	20.6	55	32.5	28	26.4
3/4"*1"	ALS-B30068	26.4	63	37.3	28	26.4
1"*3/4"	ALS-B31006	20.6	59	32.3	34	33.3
1"*1"	ALS-B31010	26.4	63	37.3	34	33.3
1"*1-1/4"	ALS-B31012	33.3	65.3	34.8	35	33.3



Elbow Tail 45°						
Specification	Medol No.	O.D2	L1	L2	L3	Thread-BSPT
3/4"*3/4"	ALS-B46066	20.6	29	46.5	40	26.4
1"*1"	ALS-B46110	26.4	32	54	42	33.3
1-1/4"*1-1/4"	ALS-B46112	33.3	41	59.5	45	41.9
1-1/2"*1-1/2"	ALS-B46144	38.7	43	6	48.5	47.8
1-1/2"*2"	ALS-B46148	51.7	57	71	54	47.8
2"*2"	ALS-B46220	51.7	49	82.5	64.1	59.6
2"*2-1/2"	ALS-B46224	63.7	51.5	84	62.6	59.6
2-1/2"*2"	ALS-B46242	51.7	50	79	58	59.6
2-1/2"*2-1/2"	ALS-B46244	63.7	53.5	82	63	75.2
3"*2-1/2"	ALS-B46324	63.7	58	83.5	61.3	87.9
3"*3"	ALS-B46330	77	59	83	60.5	87.9
4"*3"	ALS-B46430	77	65	97	75	133
4"*4"	ALS-B46440	104	65	105	77	133
5"*5"	ALS-B46550	127.9	86	119	87	139.8

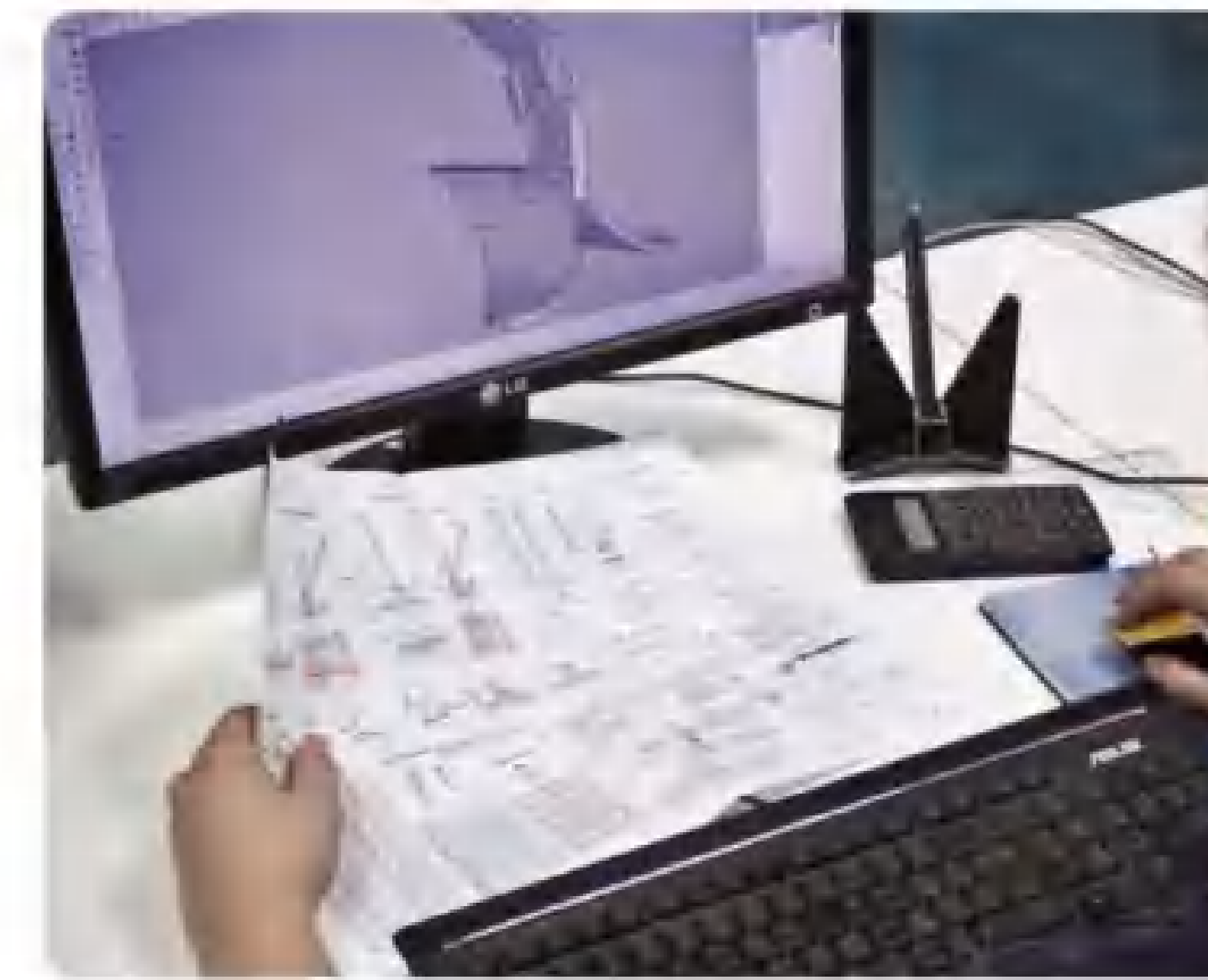
INFORMATION FOR PROSPECTIVE AGENTS

We are accepting agent applications from reputable individuals and businesses, who are able to refer qualified and genuine clients to us. If you are interested in working with Power as one of our registered agent/representative. Kindly send the following information by email to: andy@power-marine.net

- Your name.
- If applicable, the Name of your Business and the Name of Business/Company Owners.
- Your Resume/CV (Detailed information about you).
- If applicable, your Business/Company Profile.
- Your Contact Address or Business Address.
- Phone number(s).
- Email address.
- Your Website and Social Media details/URL (if any).
- Information about your Primary Market(s) (i.e. cities where most of your clients will come from).
- Your Promotion and Marketing Tactics/Strategy.
- How did you hear about us? (e.g. family/friend, Facebook, Google search, Flyer, etc.).
- Optional: Any Additional Relevant Information.

Kindly note that to become an agent of Power, you must complete a 3-Step Screening Process. This is to ensure that we only work with trustworthy, professional, and reliable individuals/businesses. By providing the above information, you have completed Step 1. If selected, we will notify you by email on the next steps (i.e. steps 2 & 3).

Thank you in advance for your interest in working with Power!



Design and development



Marine grade raw materials



Mold manufacturing



Wax Pattern



Laser Cutting



Casting Pouring



Machining



Spectrometer Detection



Mirror Polishing



Welding



CNC Machine



Warehouse